



**B&W Trailer Hitches**  
 1216 Hawaii Rd / PO Box 186  
 Humboldt, KS 66748  
 P: 620.473.3664  
 F: 620.473.3766

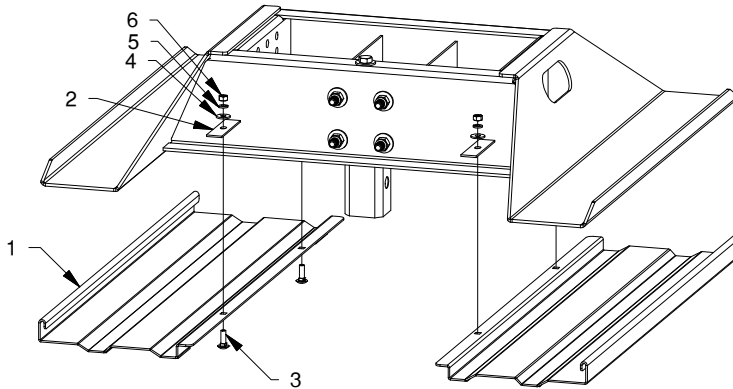
Call or Email us for  
 Installation Support  
 hitches@turnoverball.com  
 www.turnoverball.com

**NOTE:** *We recommend reading instructions before beginning the installation.*

## Installation Instructions

# Model RVXA3120

### RAM RV FOOT, BED SUPPORT KIT



PARTS LIST		
ITEM	DESCRIPTION	QTY
1	Ram RV Foot	2
2	Locking Strap	4
3	5/16" Carriage Bolt	4
4	5/16" Flat Washer	4
5	5/16" Lock Washer	4
6	5/16" Finish Nut	4
7	Foot Pad (Not Shown)	8

**!** Follow all warnings and methods described in the companion installation instructions (model RVK3000). Copies of these documents can be found at our web site: [www.turnoverball.com](http://www.turnoverball.com) or by calling 620-473-3664.

## INSTALL FEET

**Attach Feet:** Each foot can be attached by "wrapping" the hemmed edge of the foot around the outer flange of the base feet, see figure B1.

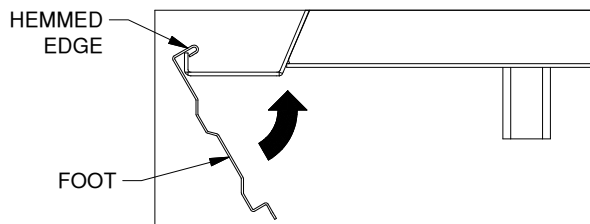


FIGURE B1

## PREPARING TO INSTALL

**NOTE:** Remove all parts from the packaging and familiarize yourself with all the parts required. Use the parts list to verify that all the parts and hardware are present.

**Remove Base pads.** If present, Remove the rubber pads installed underneath the Companion base.

**Install foot pads:** If your bed has a spray in bed liner the foot pads are not required. Place four foot pads on each foot, two pads on either end, see figure A1. These pads will protect your bed from the sharp edges of the steel feet.

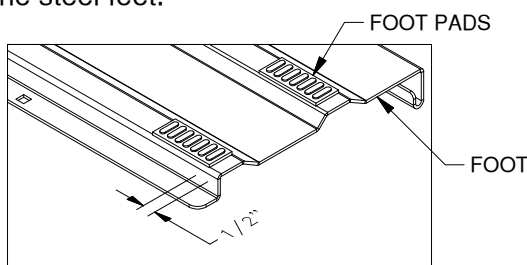


Figure A1

**Install hardware:** Attach each foot to the companion base with two locking straps, as shown in figure B2. Secure the feet and the locking strap to the base with the 5/16" carriage bolts, washers, lock washers, and nuts provided with the kit.

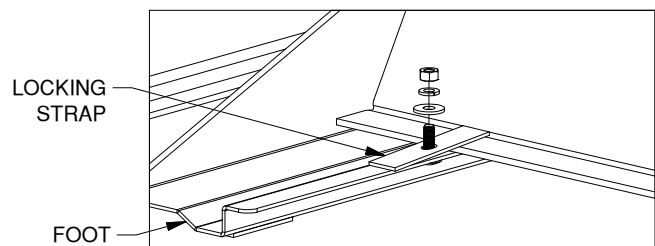


Figure B2

**NOTE:** It is normal for the locking straps to deform when the 5/16" hardware is tightened.