



B&W Trailer Hitches
 1216 HWY 224 / PO Box 186
 Humboldt, KS 66748
 P:620.473.3664
 F:620.473.3766

NOTE: *we recommend reading instructions before beginning the installation.*

2011 Ford Companion RV Kit Installation Instructions

Model RVXA3100

Call or Email us for Installation Support
 hitches@turnoverball.com www.turnoverball.com

FORD FOOT PAD KIT

INSTALLATION INSTRUCTIONS:

First Step:

Remove the 2 foam black pads, on the feet of the Companion base, which are towards the cab of the truck, see figure 1.1.

Second step:

Apply the adhesive strips to the foot pads, see figure 2.1. it may be helpful to layout the four foot pads as shown in the diagram before applying the adhesive strips to avoid mistakes.

Third Step:

Before attaching the foot pads, the base foot should be clean, dry, and free of any adhesives. Locate each of the foot pads to be attached to the base of the Companion hitch. One by one remove the backing from each pad and stick it to the smooth side of the base foot in the location and orientation shown below, see figure 3.1. Install the hitch as per the instruction sheet provided with the B&W Companion.

PARTS LIST		
ID	DESCRIPTION	QUANTITY
1	- LEFT FRONT FOOT PAD	1
2	- RIGHT FRONT FOOT PAD	1
3	- REAR FOOT PAD	2
4	- 4.5" ADHESIVE STRIP	2
5	- 8" ADHESIVE STRIP	2

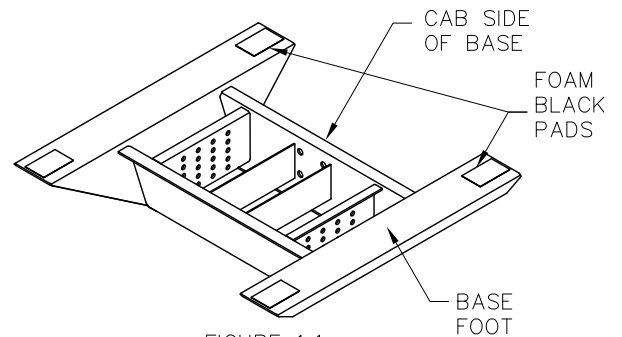


FIGURE 1.1.
ISOMETRIC VIEW OF BASE BOTTOM

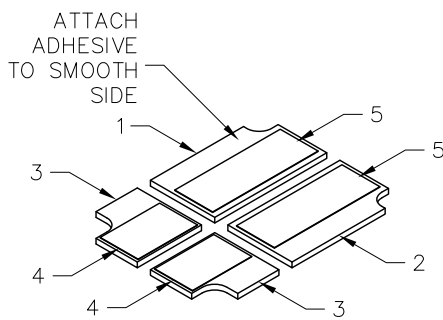


FIGURE 2.1.
ISOMETRIC VIEW OF FOOT PADS WITH ADHESIVE STRIPS APPLIED

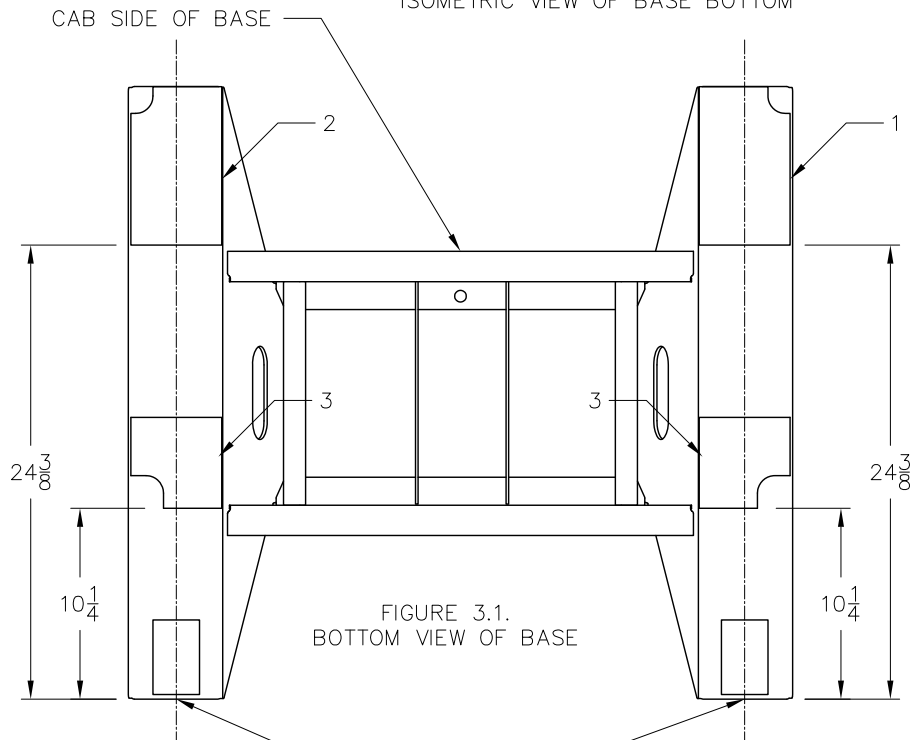


FIGURE 3.1.
BOTTOM VIEW OF BASE

CENTER THE PADS IN THE MIDDLE OF EACH FOOT